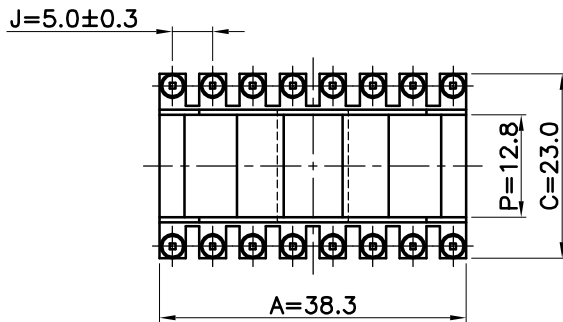
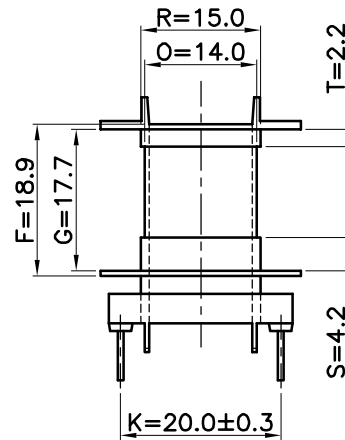
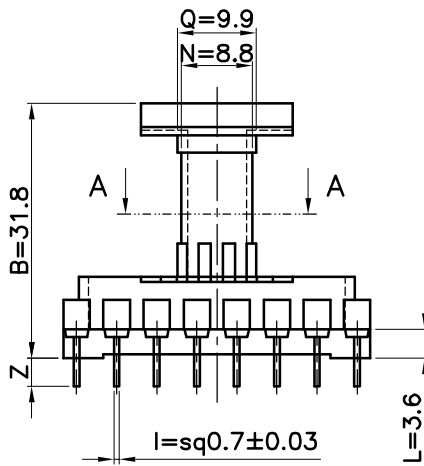


SECTION A-A



4							
3							
2							
1							
MARK	REVISION NOTE			DATE	DRAWN	CHECKED	APPROVED
DRAWN	CHECKED	APPROVED	MATERIAL : PET	UL REC. : UL94V-0	THIRD ANGLE PROJ.	SCALE : 1/1	
Dea Hun, Kim	Hyoung Seok, Lee	Chul, Park	Z : PIN LENGTH (According to customer's request)	DATE : 2007.10.20	TOLERANCE : ±0.2 (Unless otherwise specified)	UNIT : m/m	
주식회사 대흥보빈 DAE HEUNG BOBBIN CO., LTD			TITLE EE 30*30 (16P) "V"		DWG NO DH-071020-2059-15		